

### Features

- Fits in the small bowl of the K-6625 Iron/Tones Smart Divide® kitchen sink.
- Helps protect sink surface from daily wear.
- Innovative wheels around the perimeter provide a secure fit and reduce debris buildup.
- Dishwasher-safe.

### Material

- Durable stainless steel construction.

### Recommended Products/Accessories

- K-6625 Dual-mount Smart Divide® large/medium kitchen sink
- K-23729 Stainless steel cleaner



### Codes/Standards


None Applicable

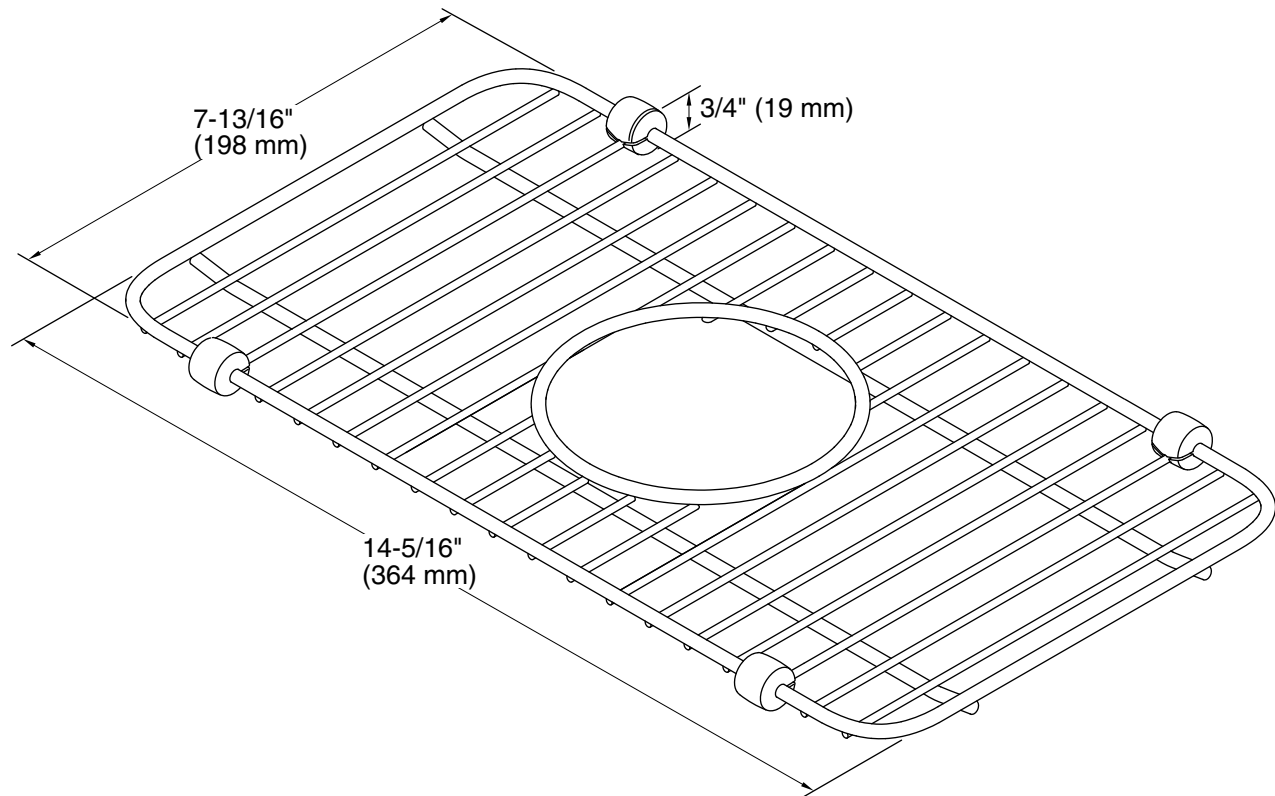
### KOHLER® One-Year Limited Warranty

See website for detailed warranty information.

### Available Colors/Finishes

*Color tiles intended for reference only.*

Color	Code	Description
	ST	Stainless Steel



### Technical Information

All product dimensions are nominal.

Material: Stainless Steel